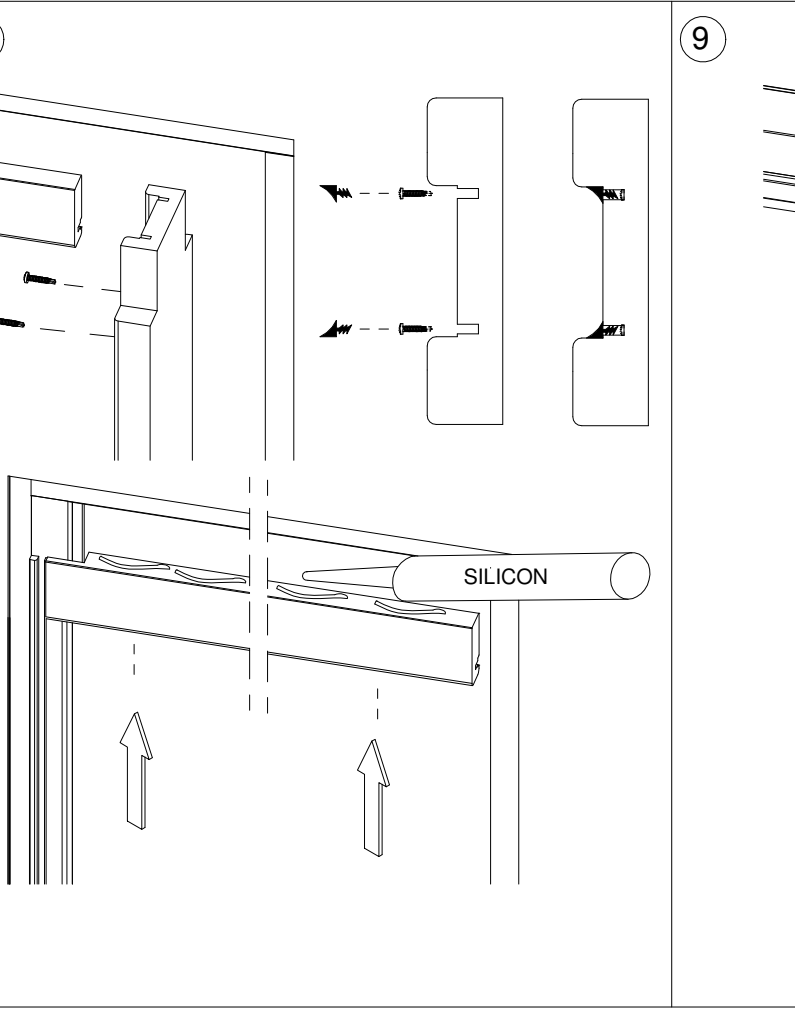
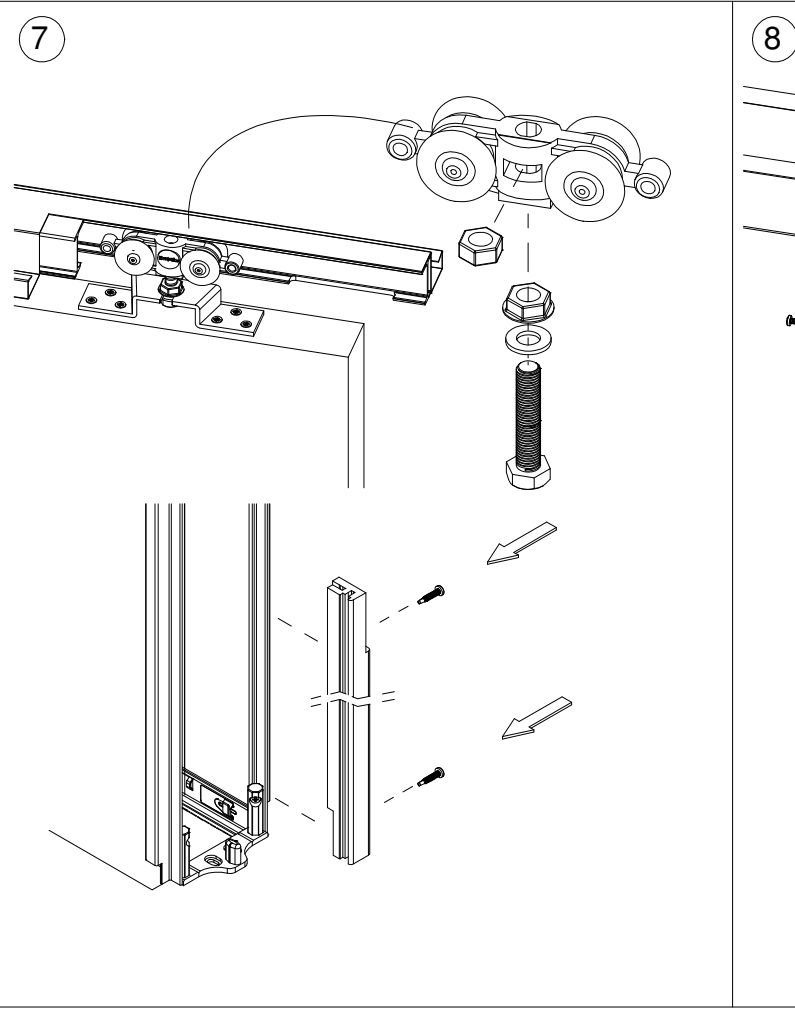
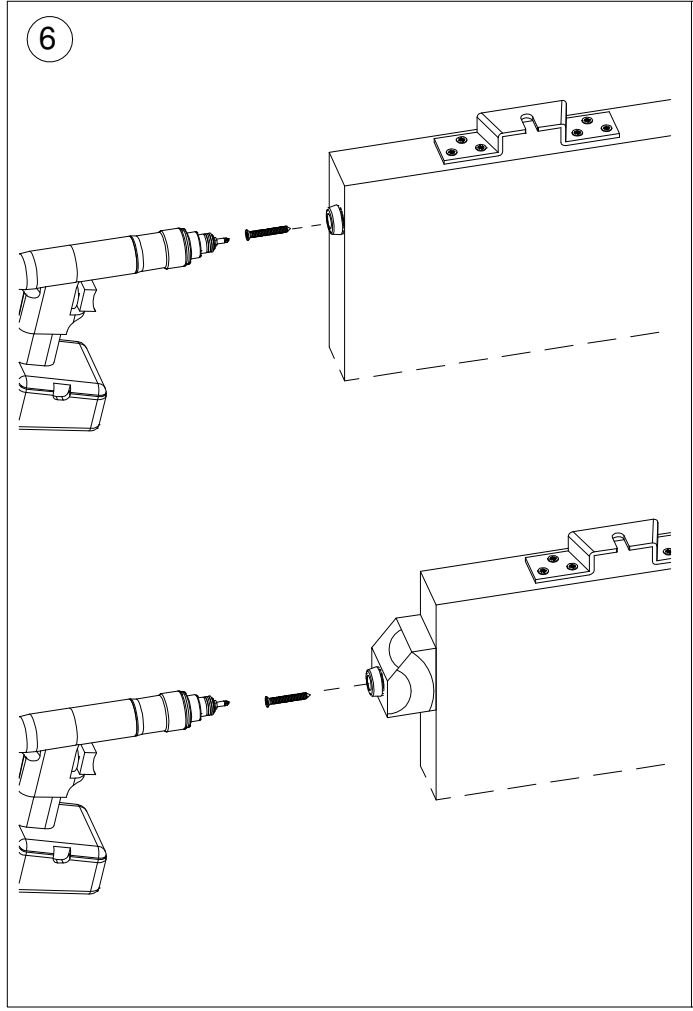
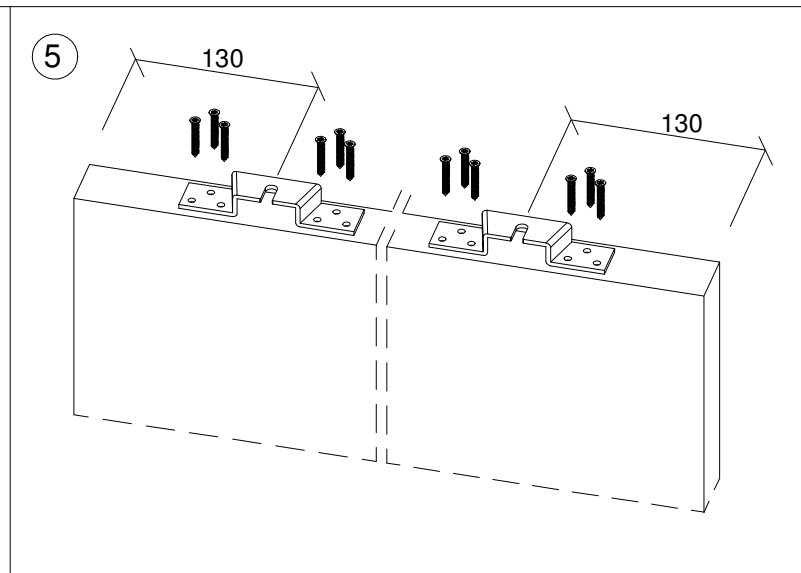
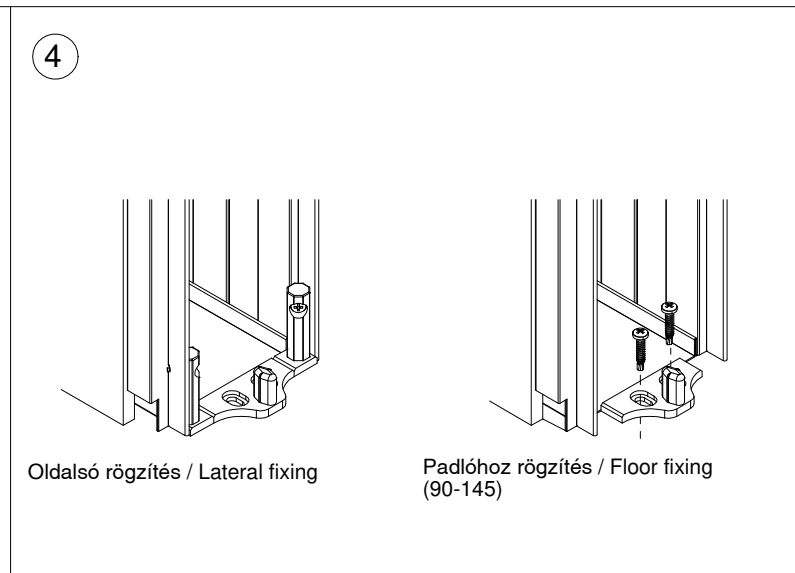
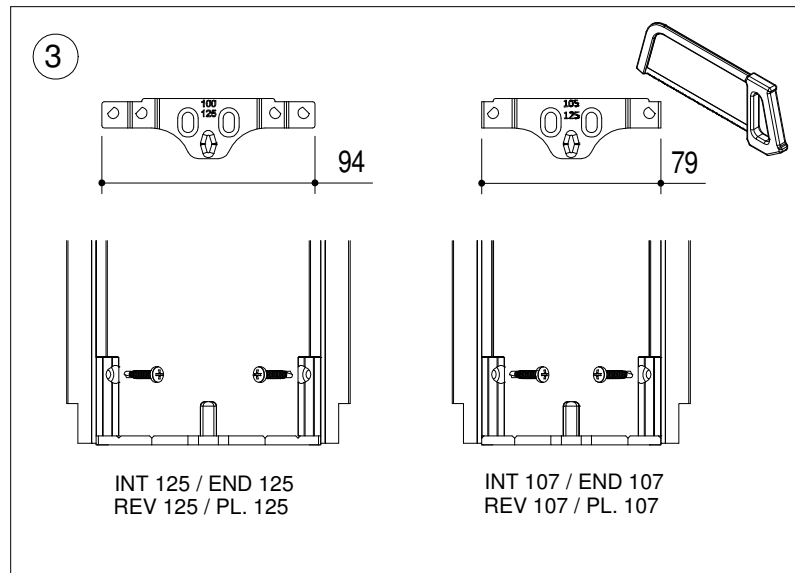
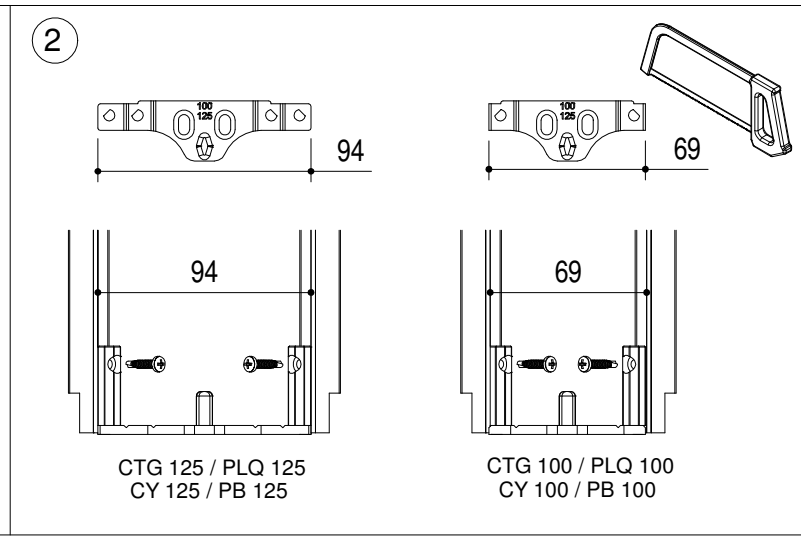
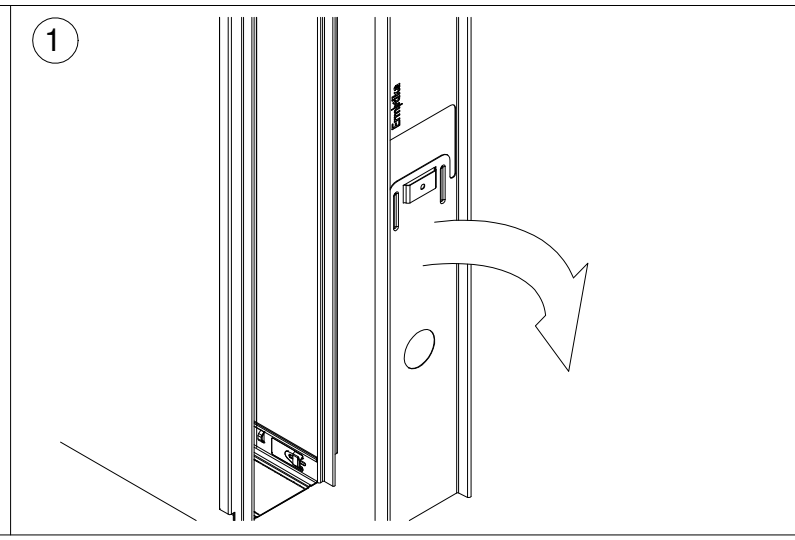
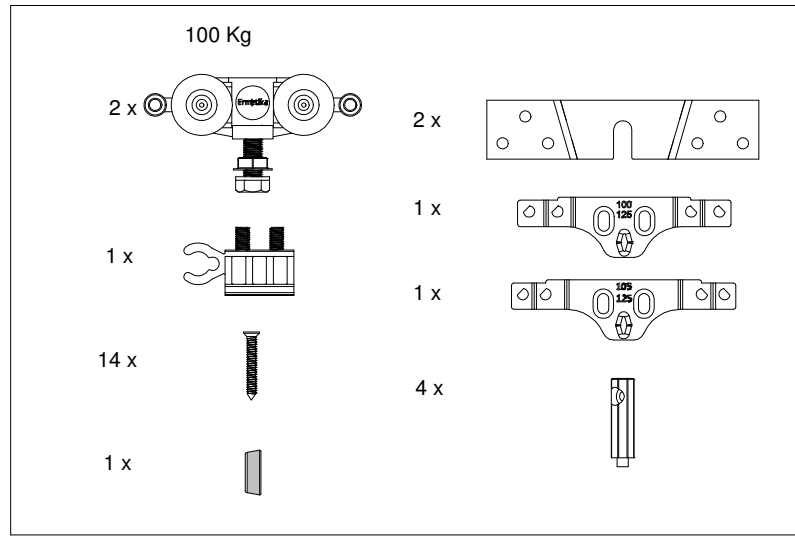


C.015.00074 - Rev. 02 del 06_2019

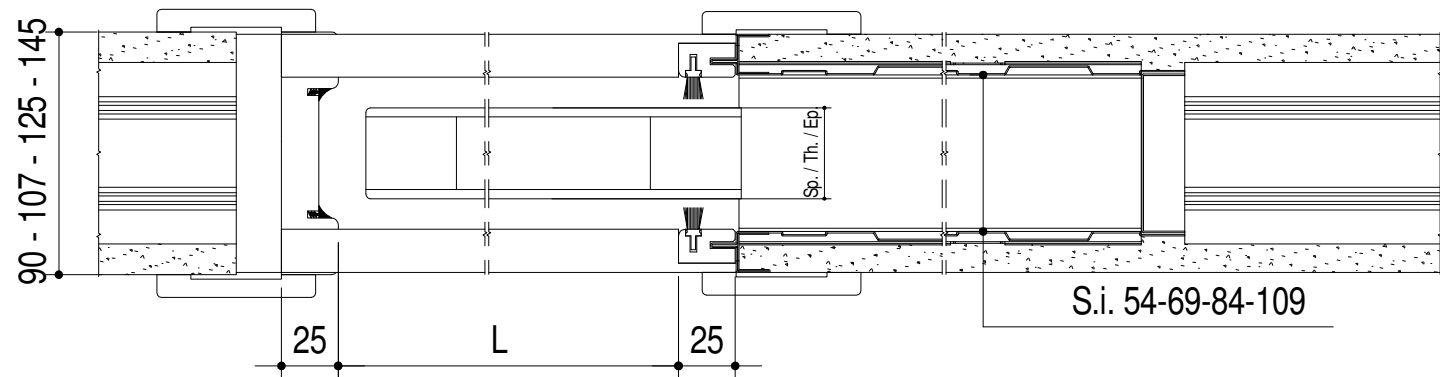


ERMETIKA s.r.l.
Via Trani, 126
76121 Barletta (BA)
ITALY
Tel. +39.0883/535781
Fax +39.0883/532164
www.ermetika.it

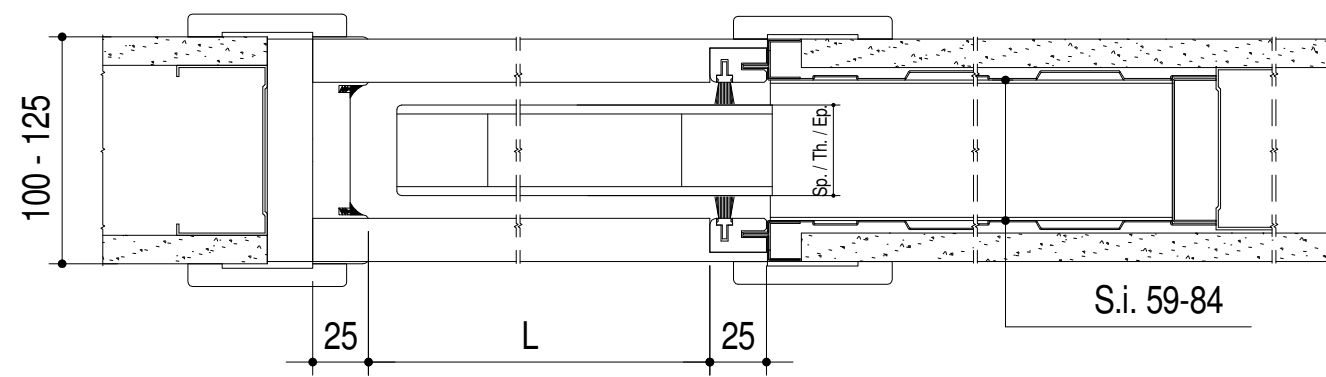
NEW VERSION

2019

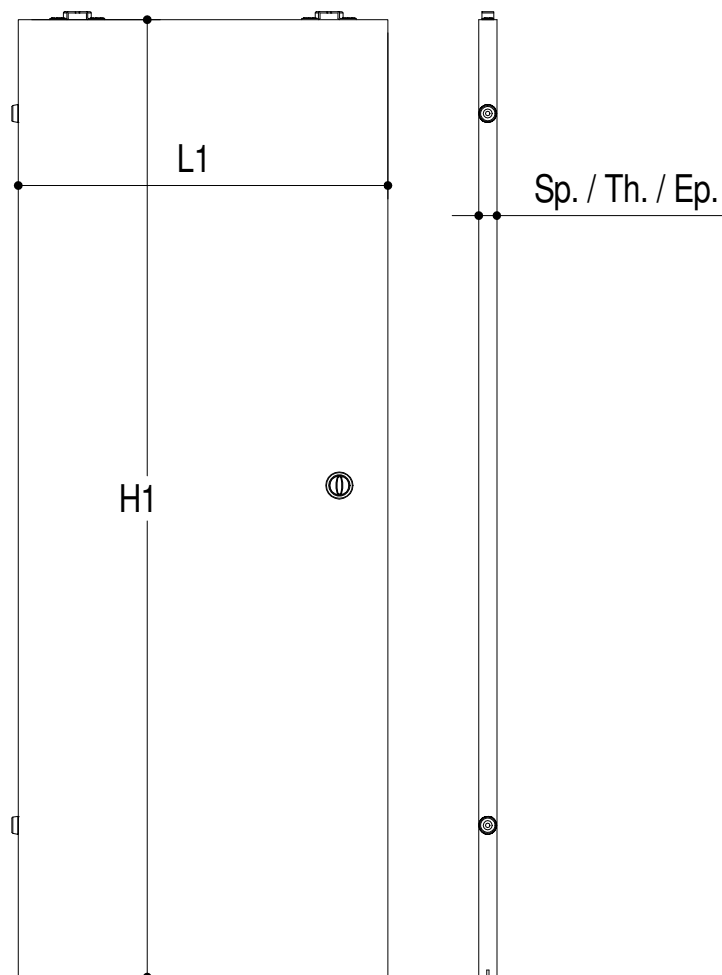
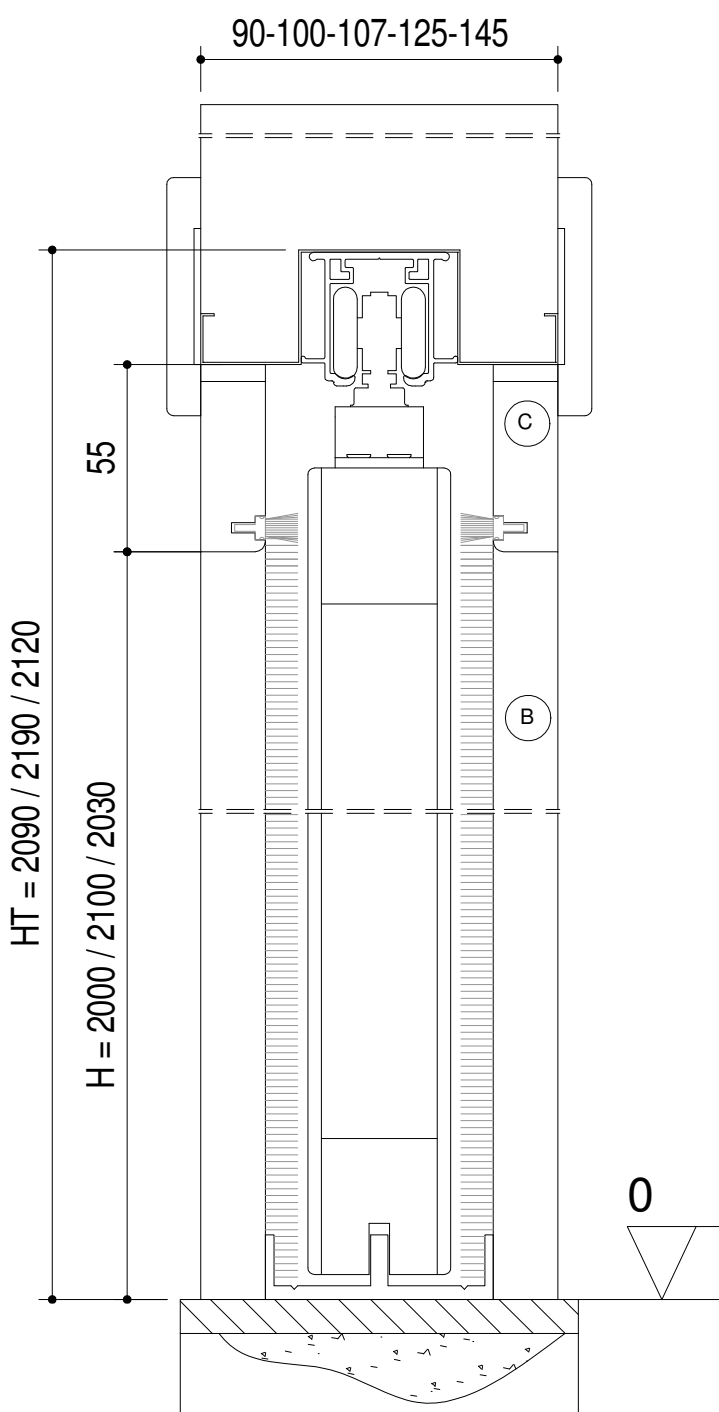
Ermetika[®]
evolution



Vakolható falazat / plaster

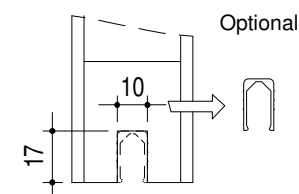
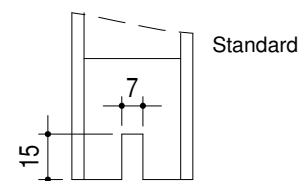


Gipszkarton falazat / plasterboard



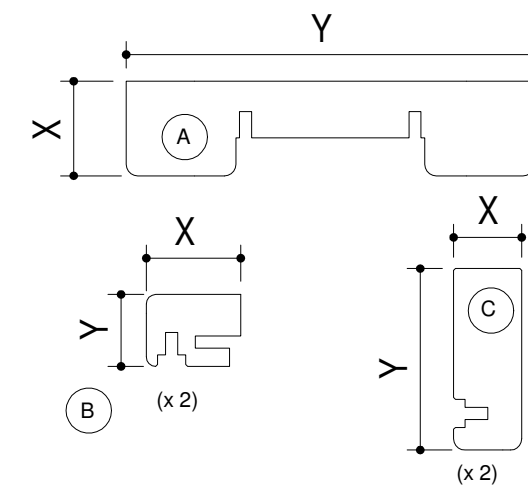
Vakolható falazat / plaster (mm)		
Par. fin./fin. wall/cloison finie/pared term.	S.i.	Sp./Th./Ep.
90	54	40
107	69	42
125	84	64
145	109	70

Gipszkarton falazat / plasterboard / (mm)		
Végleges falv./fin wall.	S.i.	Sp./Th./Ep.
100	59	40
125	84	64



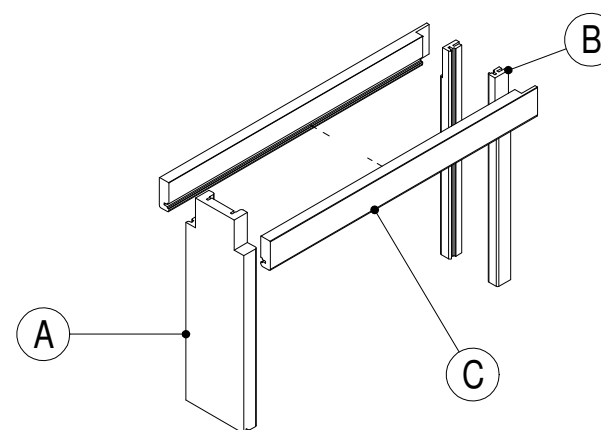
Egyszárnyú ajtó / Single D. / L X H (mm)	Ajtólap méret / Door dim. L1 X H1 (mm)
600 X 2000/2100/2030	615 ~ 630 X 2010/2110/2040
700 X 2000/2100/2030	715 ~ 730 X 2010/2110/2040
800 X 2000/2100/2030	815 ~ 830 X 2010/2110/2040
900 X 2000/2100/2030	915 ~ 930 X 2010/2110/2040
1000 X 2000/2100/2030	1015 ~ 1030 X 2010/2110/2040
1100 X 2000/2100/2030	1115 ~ 1130 X 2010/2110/2040
1200 X 2000/2100/2030	1215 ~ 1230 X 2010/2110/2040

Kétszárnyú ajtó / Double d. L X H (mm)	Ajtólap méret / Door dim. L1 X H1 (mm)
1200 X 2000/2100/2030	2 x (615 ~ 630) X 2010/2110/2040
1400 X 2000/2100/2030	2 x (715 ~ 730) X 2010/2110/2040
1600 X 2000/2100/2030	2 x (815 ~ 830) X 2010/2110/2040
1800 X 2000/2100/2030	2 x (915 ~ 930) X 2010/2110/2040
2000 X 2000/2100/2030	2 x (1015 ~ 1030) X 2010/2110/2040
2200 X 2000/2100/2030	2 x (1115 ~ 1130) X 2010/2110/2040
2400 X 2000/2100/2030	2 x (1215 ~ 1230) X 2010/2110/2040



TOK / FRAME		SP		
		90	100/107	125
A	X	25	25	25
	Y	90	100/107	125
B	X	25	25	25
	Y	19	19	32
C	X	18	18	32
	Y	48	48	48

Egyszárnyú / Single door



Kétszárnyú / Double door /

